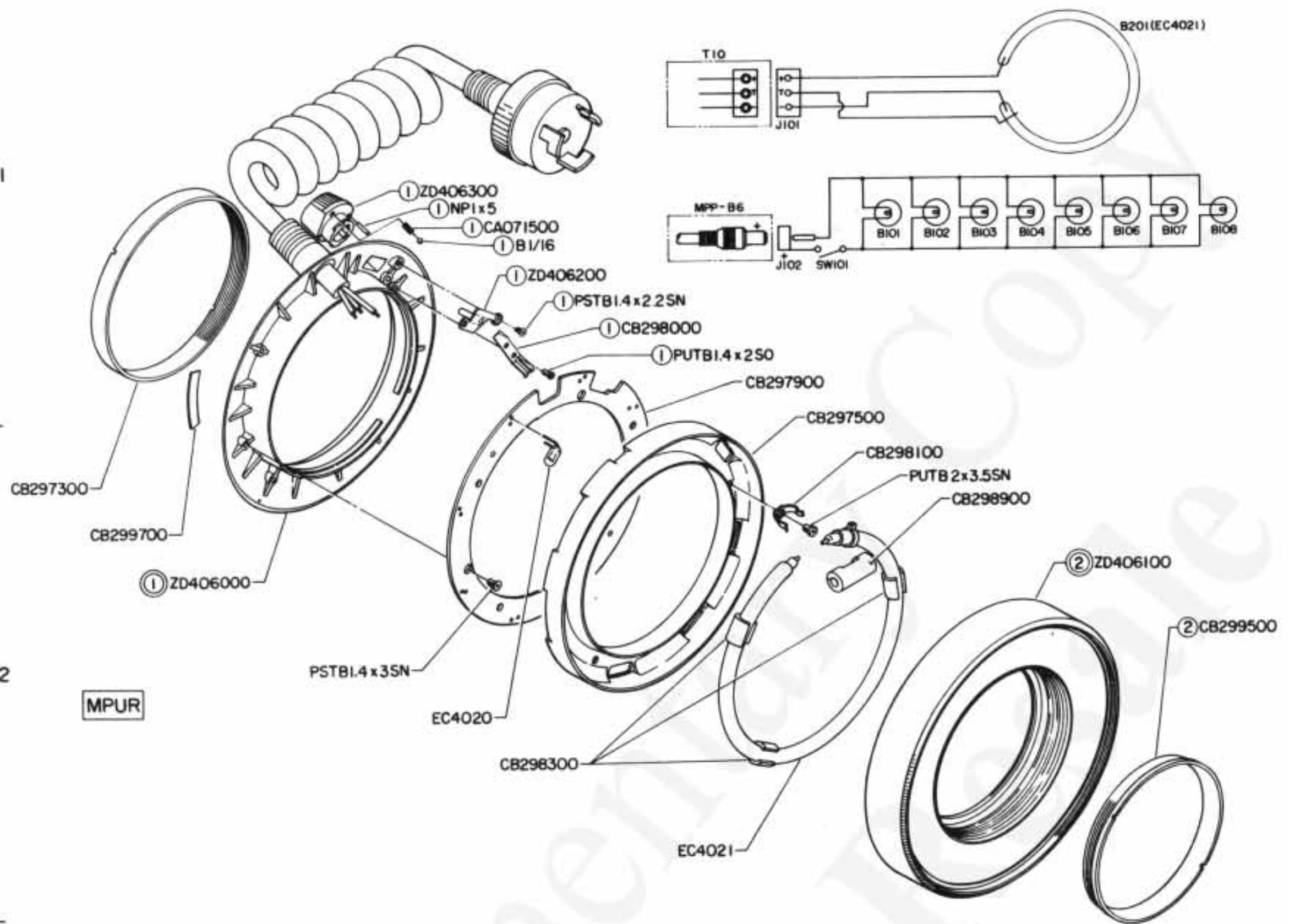


A

B

C

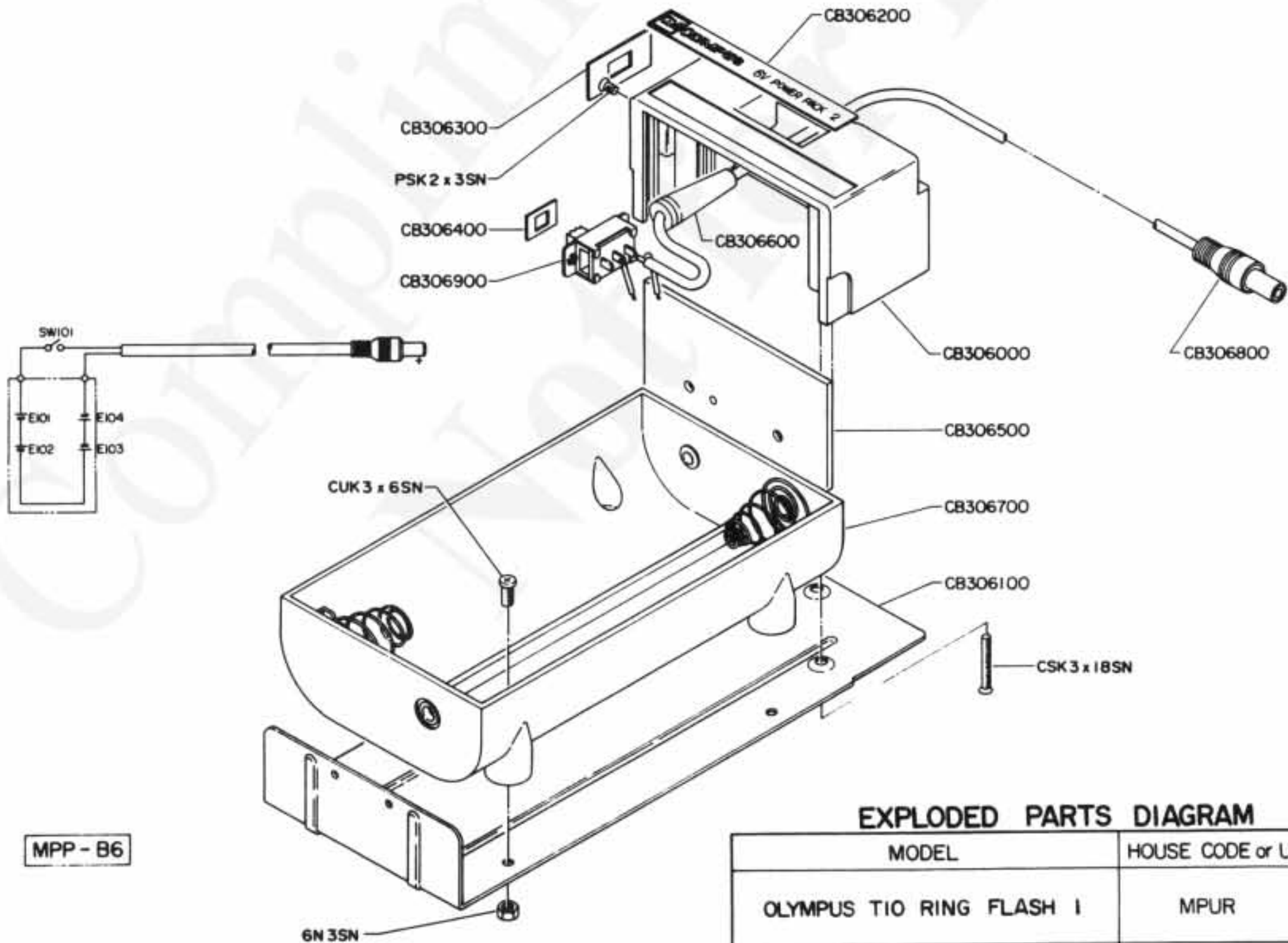
D



2

MPUR

3



4

MPP - B6

EXPLODED PARTS DIAGRAM

MODEL	HOUSE CODE or UNIT	FIG.
OLYMPUS T10 RING FLASH I	MPUR	1/1
OLYMPUS 6V POWER PACK 2	MPP - B6	1/1

OLYMPUS OPTICAL CO., LTD. TOKYO, JAPAN

NOTE: WHEN ORDERING FOR SPARE PARTS, PLEASE CLARIFY A MODEL or HOUSE CODE, PARTS NUMBER AND QUANTITY.

**OLYMPUS T10 RING FLASH 1
OLYMPUS 6V POWER PACK 2**

PARTS LIST

MPUR
MPP-B6 1/1

<u>PARTS NO.</u>	<u>NAME OF PARTS</u>	<u>NOTE</u>	(Q'ty used/ per unit)
MPUR			
CA071500	SPRING	B1	(1)
CB297300	SCREW RING	A2	(1)
CB297500	REFLECTOR	C1	(1)
CB297900	D. BOARD	C1	(1)
CB298000	D. PLATE	B1	(1)
CB298100	LAMP HOLDER	C2	(3)
CB298300	LAMP TUBE	B2	(3)
CB298900	CORD COVER	C2	(1)
CB299500	STOPPER	D2	(1)
CB299700	R1 SEAL	A2 (Only Japanese Market)	(1)
ZD406000	FRAME ASS'Y	A2	(1)
ZD406100	DIFFUSION RING ASS'Y	D2	(1)
ZD406200	PIN PLATE ASS'Y	B1	(1)
ZD406300	D. LEVER ASS'Y	B1	(1)
EC4020	ILLUMINATOR LAMP	4.5V 0.15A	(8)
EC4021	XE RING	80WS	(2)
PSTB1.4 x 2.2SN	SCREW		
PSTB1.4 x 3SN	SCREW		
PUTB1.4 x 2SO	SCREW		
PUTB2 x 3.5SN	SCREW		
NP1 x 5	PIN		
B 1/16	BALL		
MPP-B6			
CB306000	SWITCH BOX	Same as SC0124	(1)
CB306100	UNDER PLATE	C4	(1)
CB306200	B6 NAME PLATE	C3	(1)
CB306300	SW NAME PLATE	Same as SC0126	(1)
CB306400	PLATE	Same as SC0127	(1)
CB306500	SIDE PLATE	Same as SC0128	(1)
CB306600	CORD BUSH	C3	(1)
CB306700	BATTERY CASE	C4	(1)
CB306800	B6 CORD	D3	(1)
CB306900	SWITCH	Same as EP3126	(1)
CSK3 x 18SN	SCREW		
PSK2 x 3SN	SCREW		
CUK3 x 6SN	SCREW		
6N3SN	NUT		