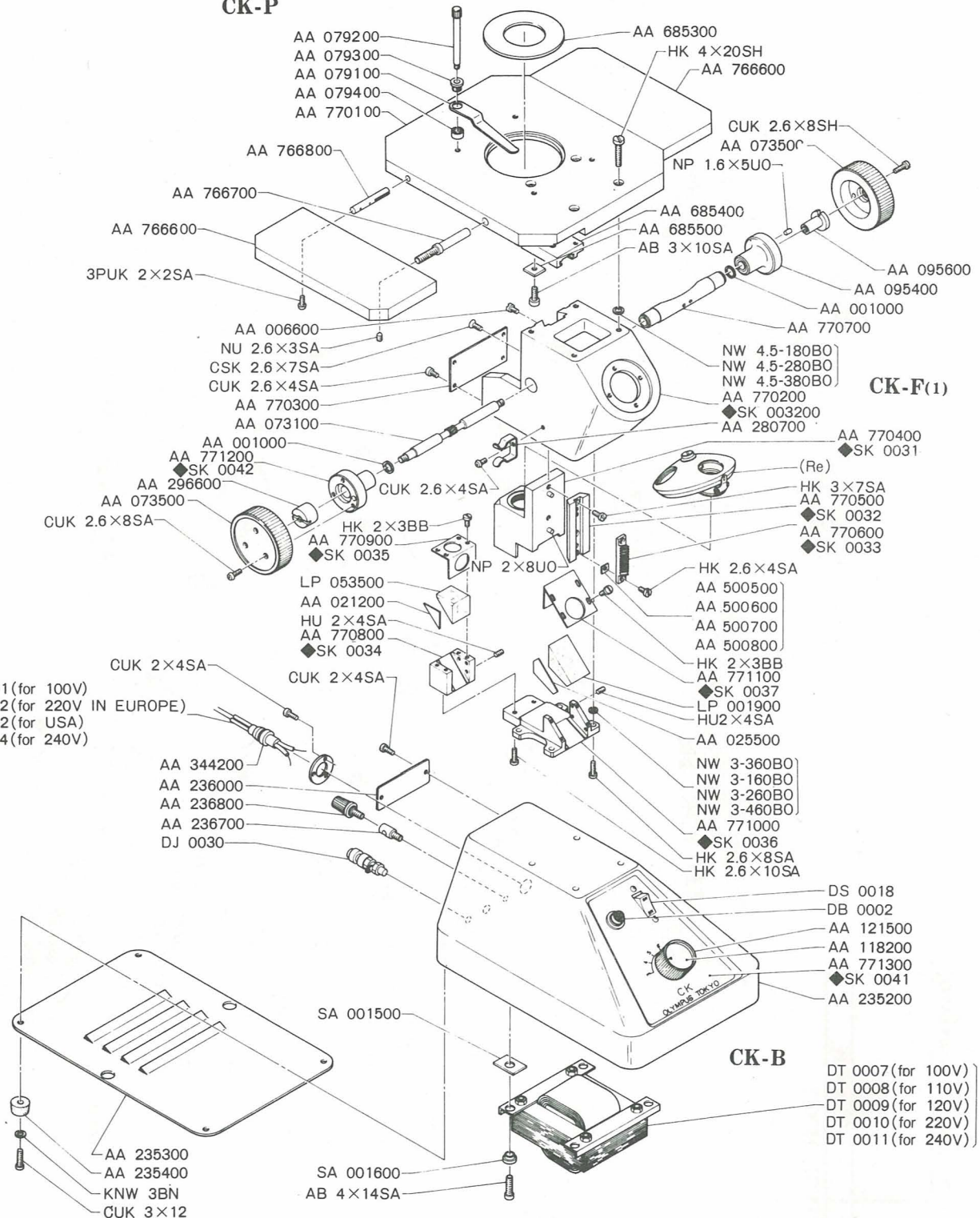
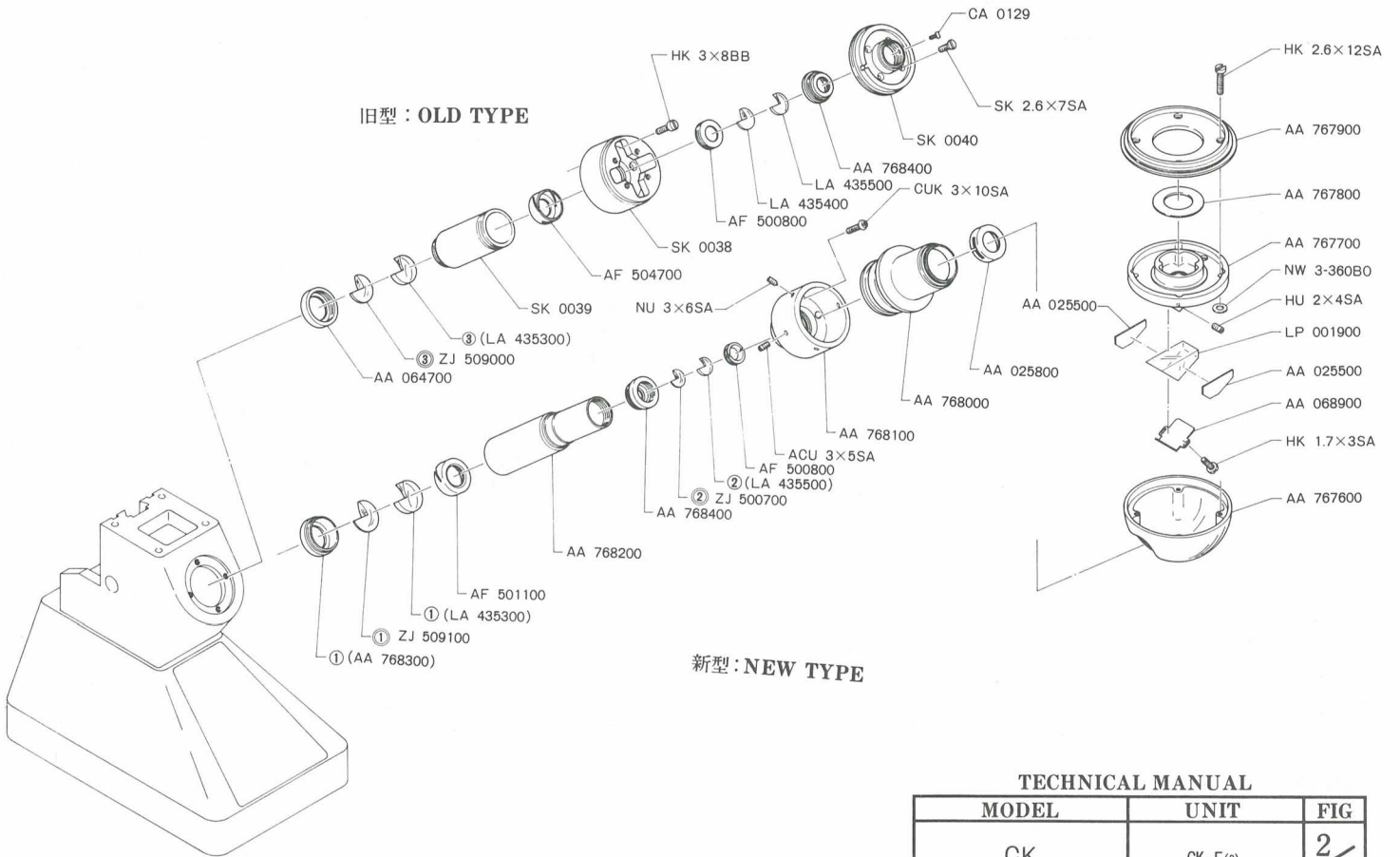


CK-P



- (DC 0001 (for 100V)
- (DC 0002 (for 220V IN EUROPE)
- (DC 0002 (for USA)
- (DC 0004 (for 240V)

- (DT 0007 (for 100V)
- (DT 0008 (for 110V)
- (DT 0009 (for 120V)
- (DT 0010 (for 220V)
- (DT 0011 (for 240V)



TECHNICAL MANUAL

MODEL	UNIT	FIG
CK	CK-F(2)	2/7

OLYMPUS OPTICAL CO., LTD. TOKYO, JAPAN

